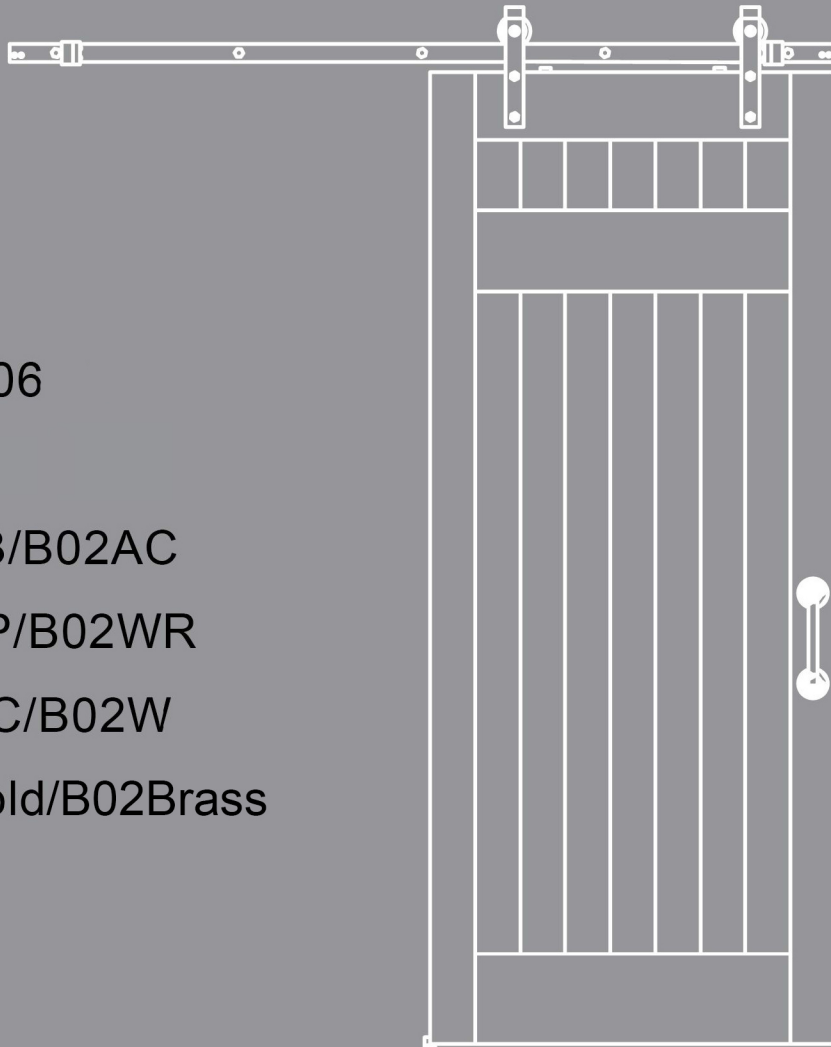




Barn Door hardware Installation Manual



Applied for:

B02/B06

S12

B02AB/B02AC

B02GP/B02WR

B02WC/B02W

B02Gold/B02Brass

IMPORTANT !

- All loads are taken by the top track to ensure smooth, light operation and long life. Prior to installing this doorset, inspect for damage and do not proceed to fit if any noticeable damage or defect is evident.
This doorset should be stored in a dry flat location before installation.

⚠ CAUTION!

- This product needs to be installed by a competent tradesperson with assistance. Two people are required to carry out the installation as some components are heavy.
The track requires fixing to the supporting structure above the opening. The supporting structure **MUST** be capable of carrying the load in all conditions. Doors must not be trimmed.

Usage Statement:

Use of excessive force when opening, and closing, the door(s) may result in damage to the hardware. Always hold the handle and gently open and close the door(s).




Warranty Statement:

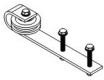
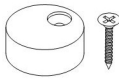
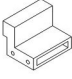
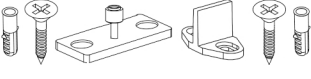
5 year straight unconditional warranty service enables every single hardware's durability coverage its life time.




※ HARDWARE

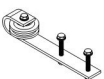

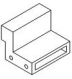
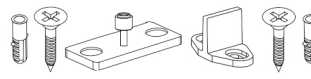
Before you begin, check that you have the parts you need in your kit. The table below indicates the model and quantity of the part.

● Track Accessories

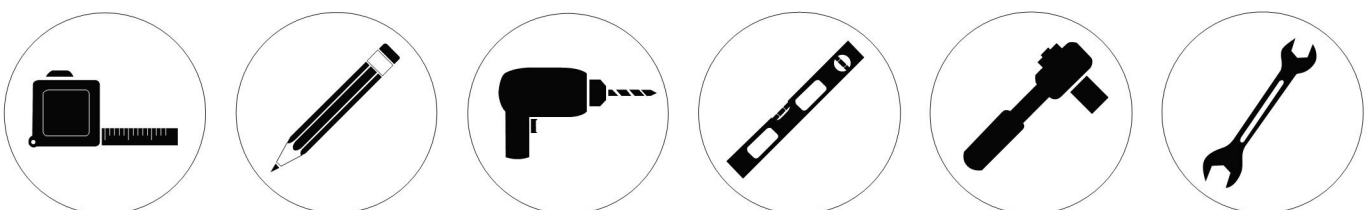
Single Door Hardware Kit												
Part Name	Picture	1.25m	1.5m	1.6m	1.8m	2m	2.4m	2.8m	3m	3.2m	3.6m	4m
Flat Track		1	1	1	1	1	1	1	2	2	2	2
Sapcer & Lag Bolt		3	4	4	4	5	6	6	8	8	8	10
Junction Plate & Hex wrench		0	0	0	0	0	0	0	1	1	1	1

Hanger		X2	Anti-Jump Pad		X2
Door Stopper		X2	Floor Guide		X1

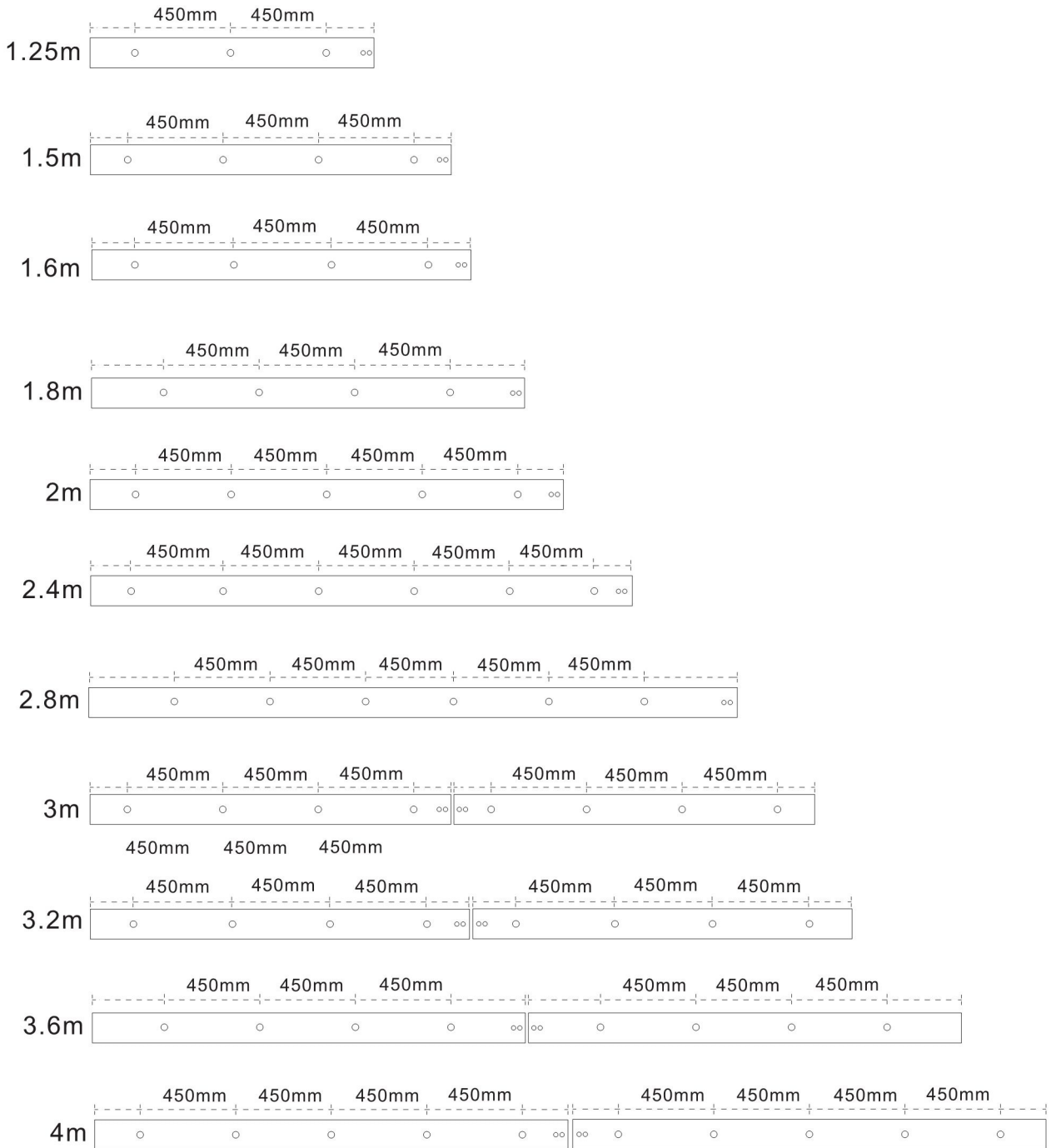
Double Door Hardware Kit												
Part Name	Picture	1.25m	1.5m	1.6m	1.8m	2m	2.4m	2.8m	3m	3.2m	3.6m	4m
Flat Track		1	1	1	1	1	1	1	2	2	2	2
Sapcer & Lag Bolt		3	4	4	4	5	6	6	8	8	8	10
Connector & Hex wrench		0	0	0	0	0	0	0	1	1	1	1

Hanger		X4	Anti-Jump Pad		X4
Door Stopper		X4	Floor Guide		X2

● Installation Tools

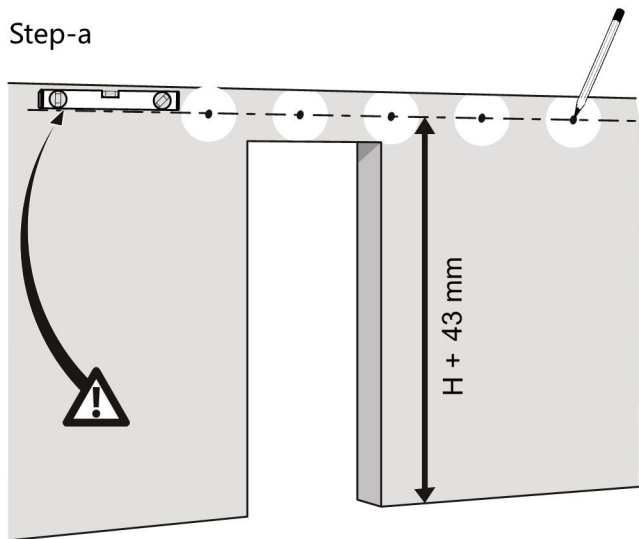


• Chart: Track Junction



※ HARDWARE INSTALLATION

Step-a

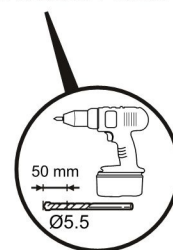
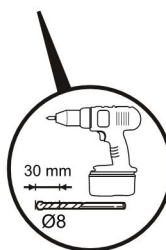


● Determine the rail position

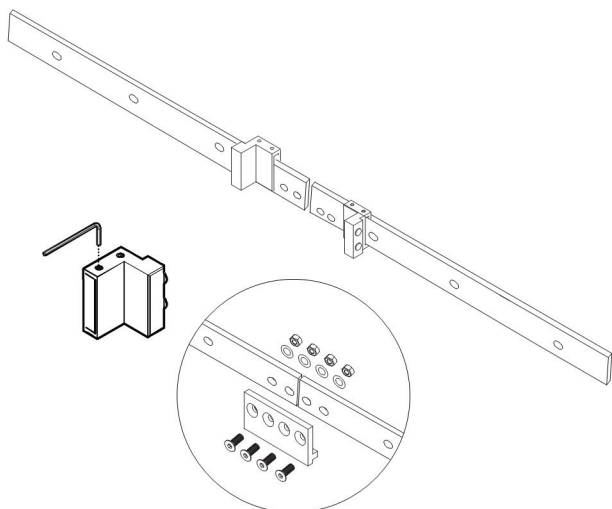
1. H =Door height.
2. Center the rail on the wall, using a level and mark all holes on the track.
3. Drill a hole where marked:

Drill on concrete wall

Drill on wooden wall



Step-b

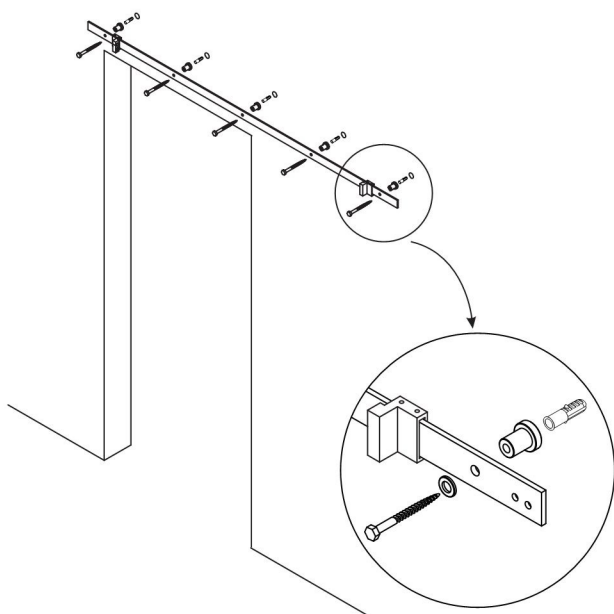


● Assemble Door Stoppers

(Step-b is only for Double Door Hardware Kit, Disregard Step-b for single piece track)

1. Slide one side of the door stop onto each rail (as the left picture shows)
2. Connect up every track piece with junction plates.

Step-c

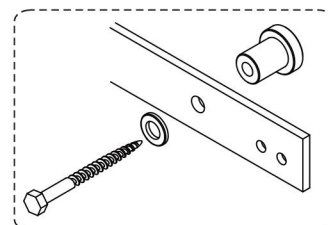
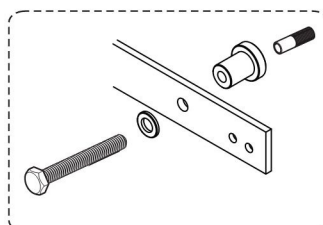


● Installing the rail

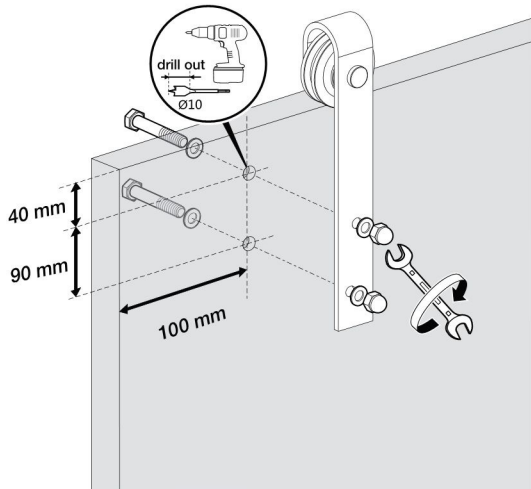
1. Secure the rail onto the wall, using the fasteners and spacers.
2. Use the spacer between the rail and the wall:

Install on concrete wall

Install on wooden wall



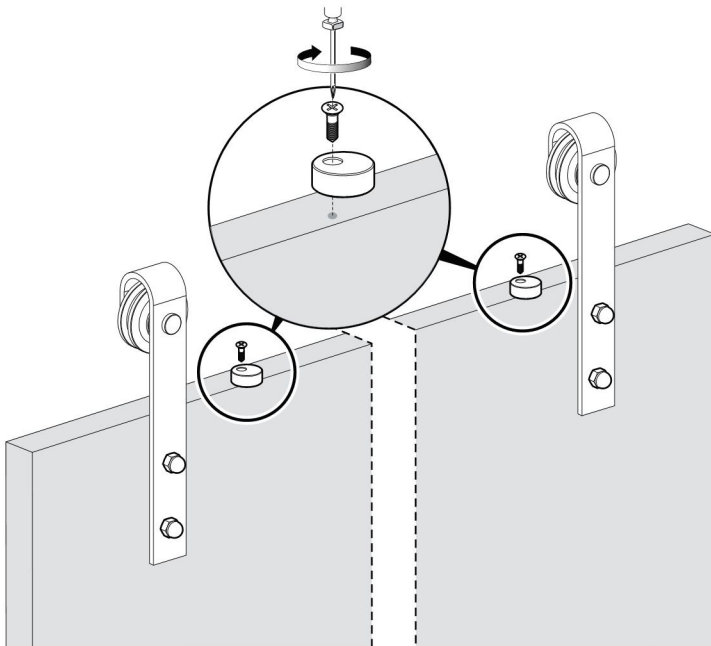
Step-d



● Installing the Hangers

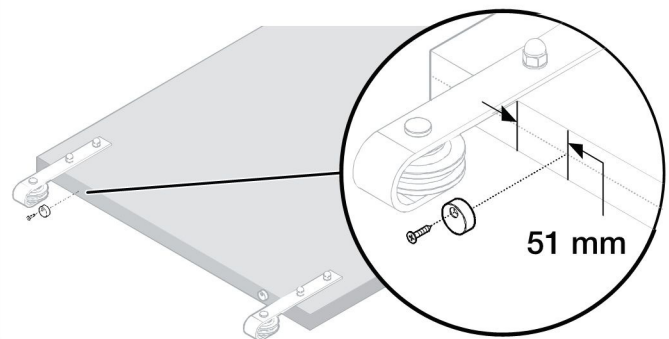
1. Measure the holes for the first hanger approximately 100 mm from the edge of the door and approximately 40 mm from the top.
2. Once holes are determined, mark the door with a pencil and proceed to drill.
3. Proceed to install the hanger by first determining the thickness of the door. If the door is approximately 35 mm thick use the shorter screws. If the door is approximately 45mm, use the longer screws.
4. Repeat the step on the other side for the second hanger.

Step-e

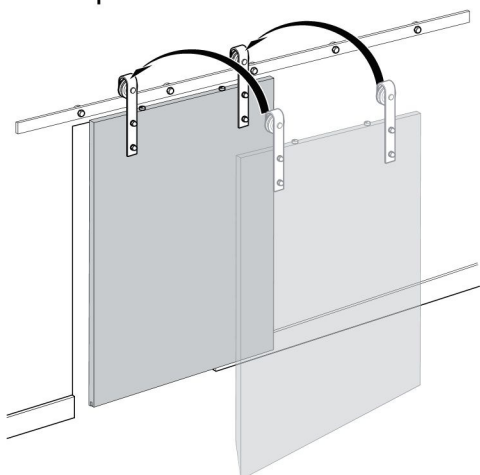


● Installing the anti-jump discs

1. Place the anti-jump discs a minimum of 51 mm away from the inside edge of the hanger on top of the door. The hole of the anti-jump disc should be closer to the front of the door.
2. Repeat this step on the opposite side.

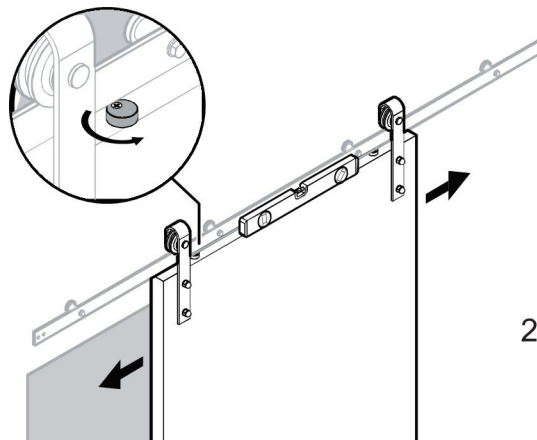


Step-f

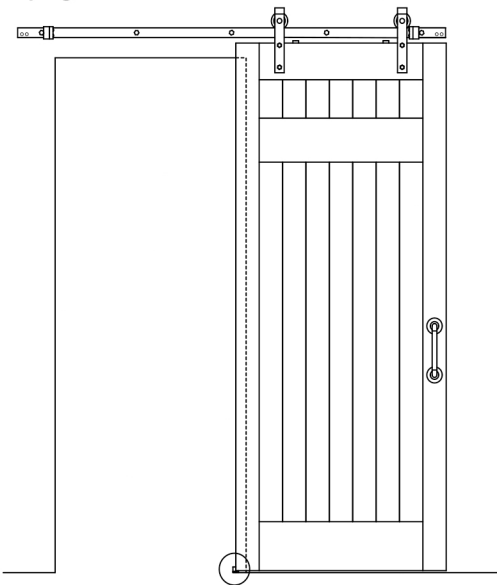


● Placing the door on the rail

1. Rotate the anti-jump discs out of the way and place the door with hangers installed on the rail. Ensure the door is level on the rail when installed. Test the door by sliding it. Once tested, rotate the anti-jump discs back into the original spot.
2. Repeat step-f-1 on the other door for a double door installation.

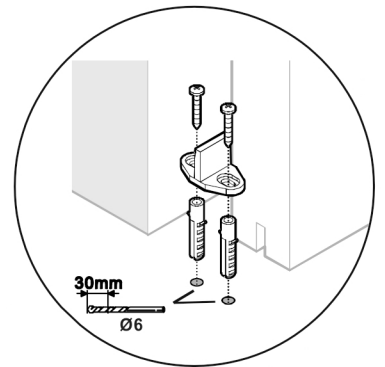
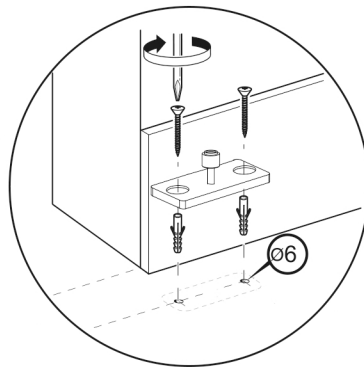
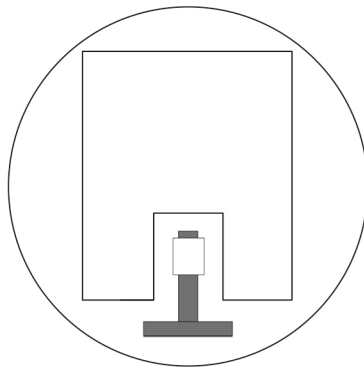
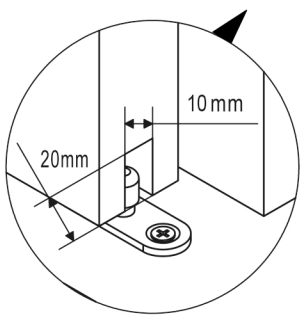


Step-g

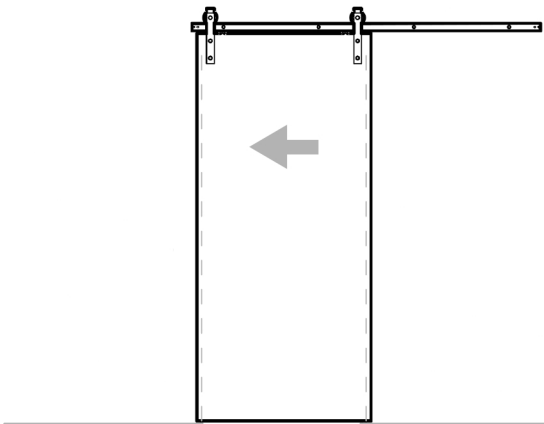


● Installing the Floor Guide

1. Once the door has been hung in position, the bottom floor guide will need to be fixed in place to prevent excessive movement.
2. Slide the door into an open position without it falling off the rail.
3. Position the floor guide past the opening, as shown in the diagram. Center the floor guide on the floor and align with the door.
4. Drill holes in the floor and secure the floor guide with fasteners.



Step-h



● Installing the door stops

1. Slide the door to the closed position.
2. Slide the door stop onto the rail ensuring it touches the hanger. Using the Allen Key, tighten the screws to secure the door stop.
3. Move the door to the open position and repeat the same steps for the other door stop.

